

Challenges with modelling multiple frameworks

THE *Open* GROUP
Making standards work®

Peter Harrad

Senior Consultant at Orbus Software

(Producer of iServer EA modeling software)

“iServer lets you mix and match between standards”

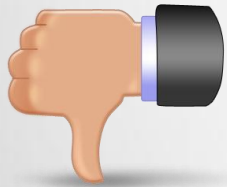
“So how do we model crossovers between frameworks then?”





What we cover:

Considerations we have faced in aligning different modelling efforts



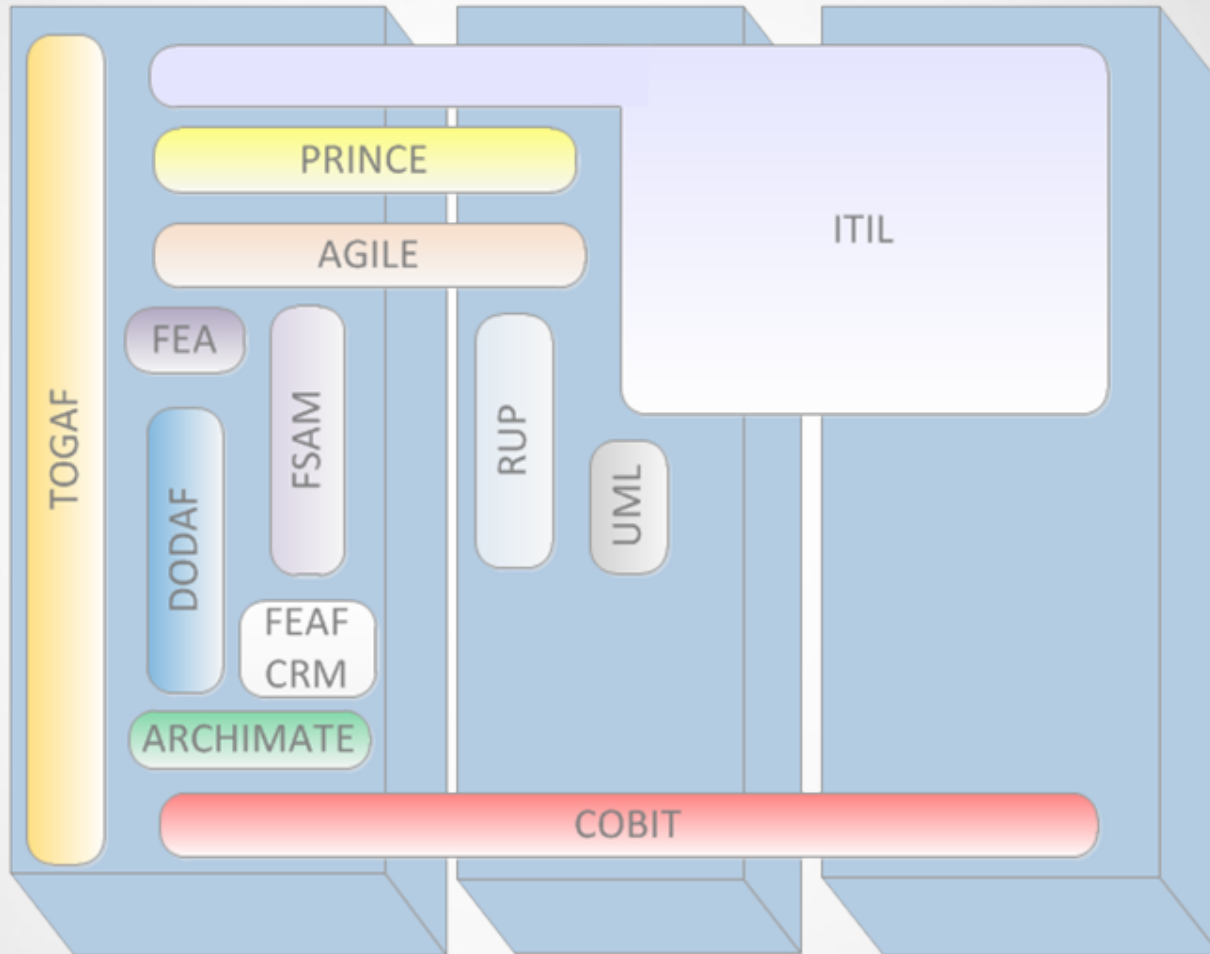
What we don't cover:

A proposed model for how all frameworks align
- no grand unified theory

Agenda

- ① What is a framework?
- ② Frameworks touchpoints
- ③ Resolving touchpoints
- ④ Organizational considerations
- ⑤ Conclusions

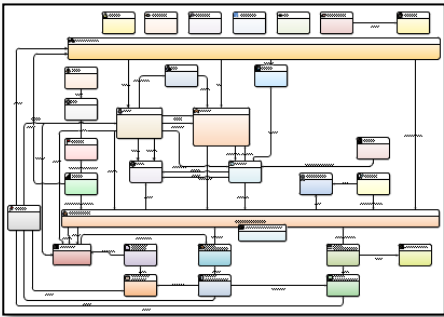
Frameworks



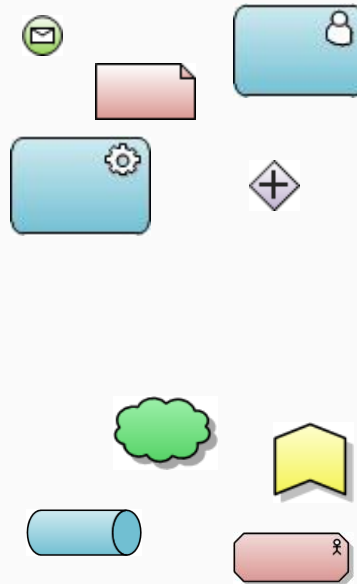
What is a Framework?

The fundamental challenge: most frameworks you would want to align, cover different (but touching) areas

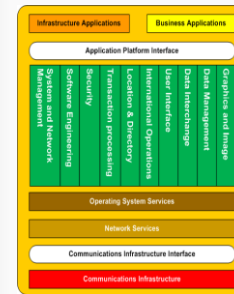
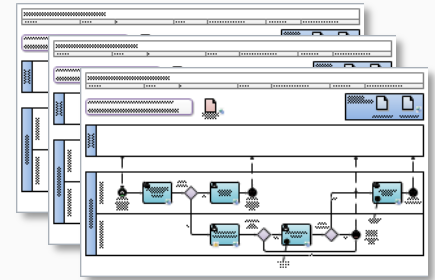
Metamodel



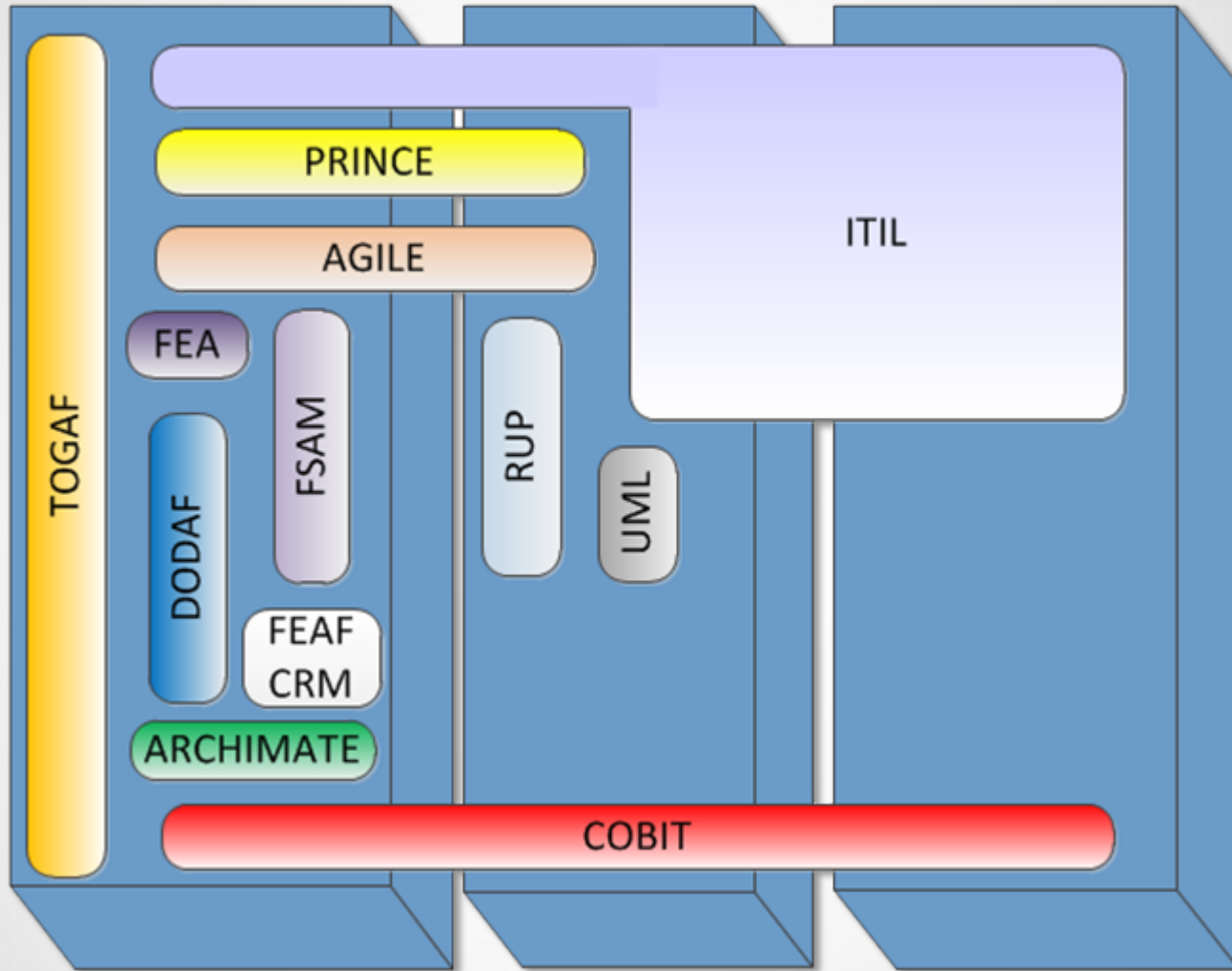
Notation



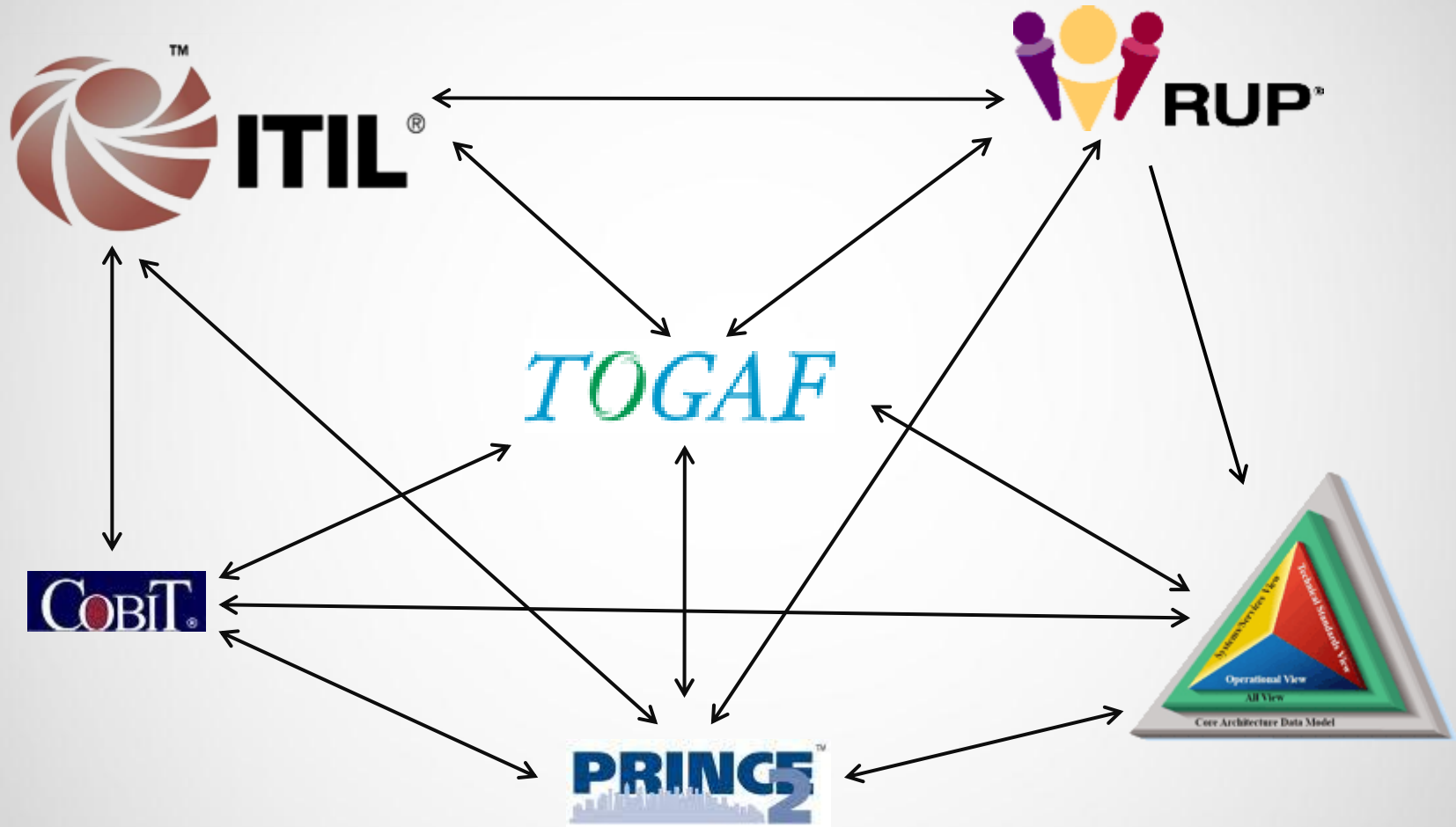
Reference models



A catalog of Frameworks

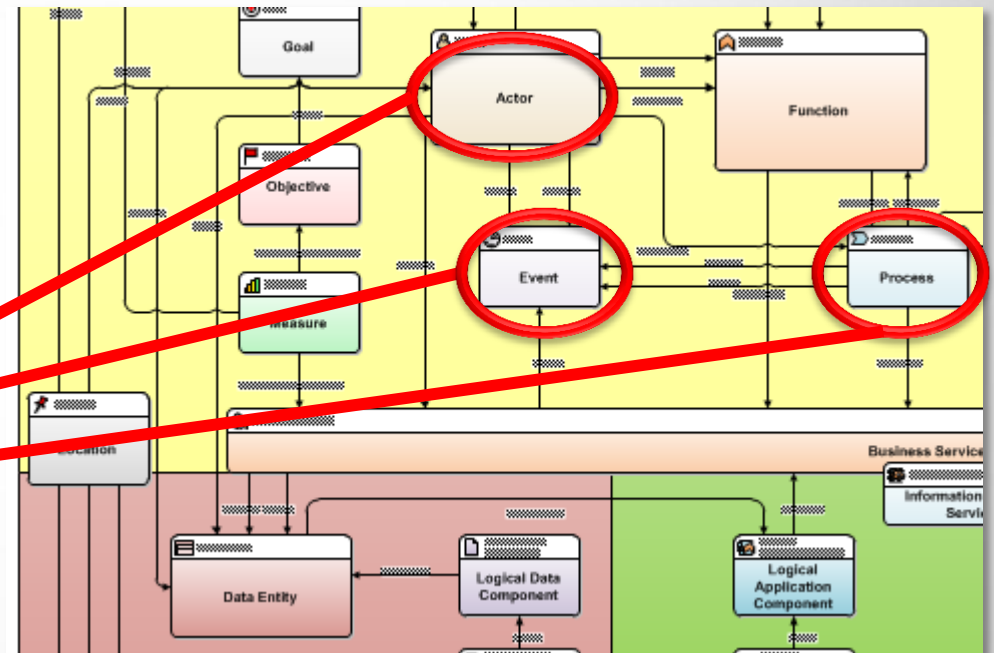
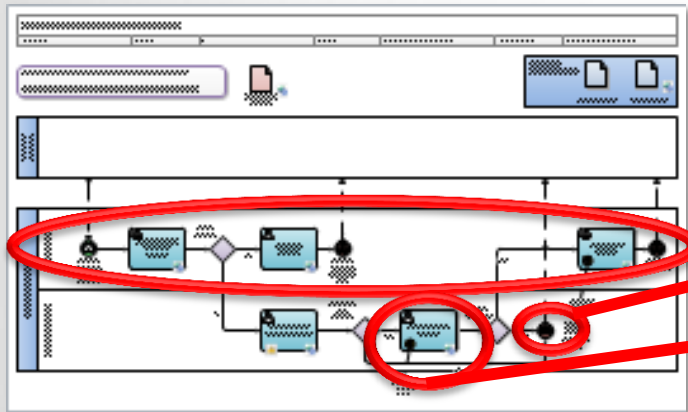


Framework Touchpoints



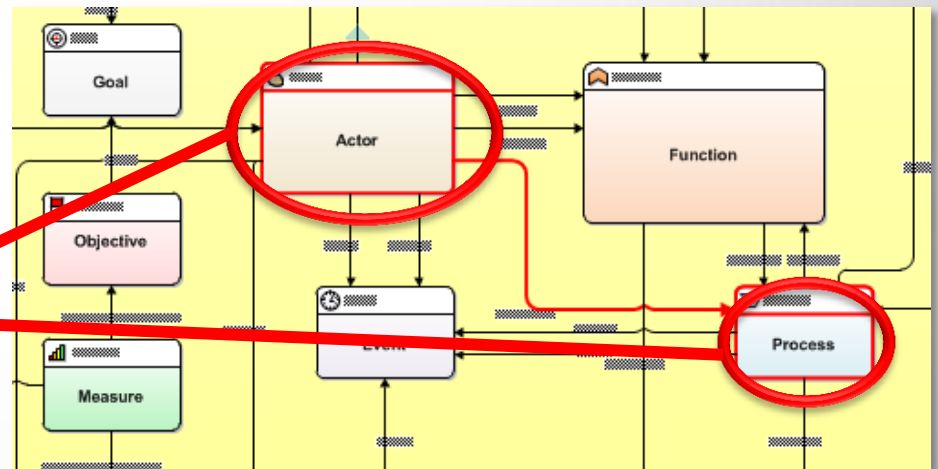
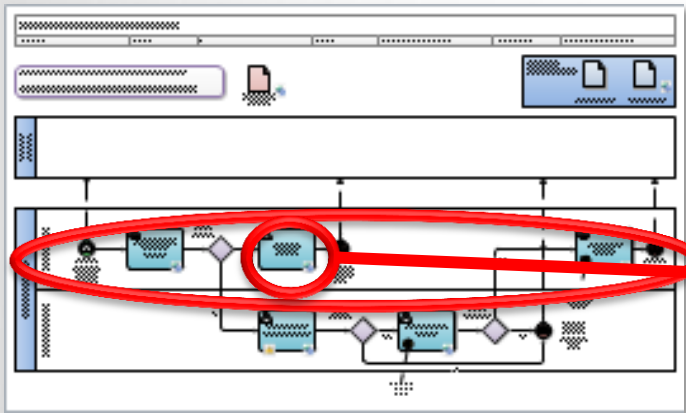
Framework touchpoints - metamodel

Different models can reference the same objects



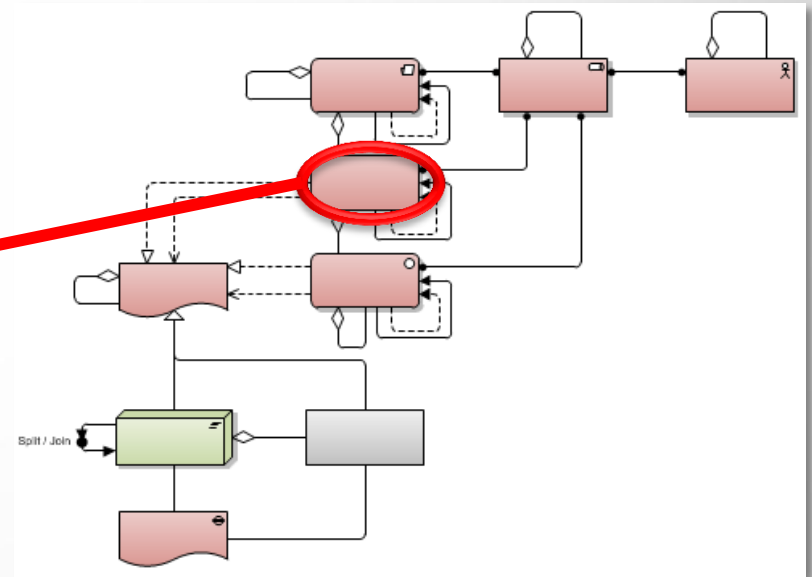
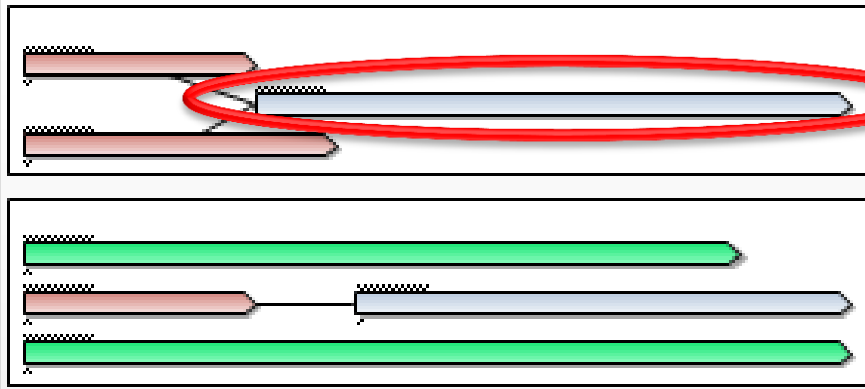
Framework touchpoints - metamodel

Different models can reference the same objects; but they can have different relations....or the same



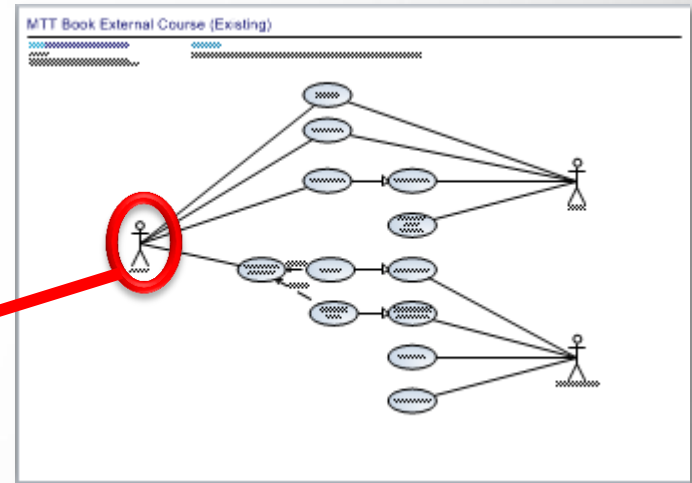
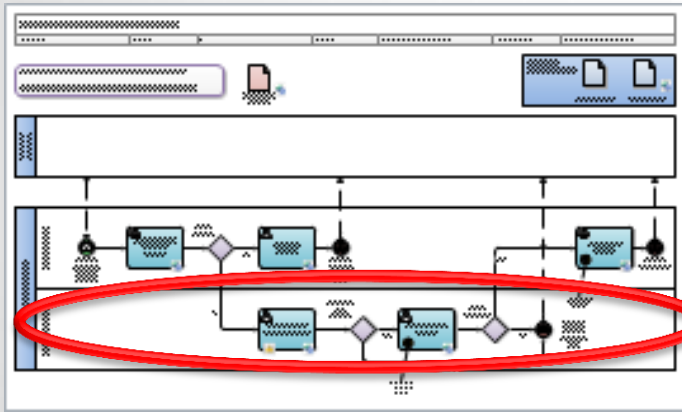
Framework touchpoints – viewpoints

The same objects could be represented on different diagrams

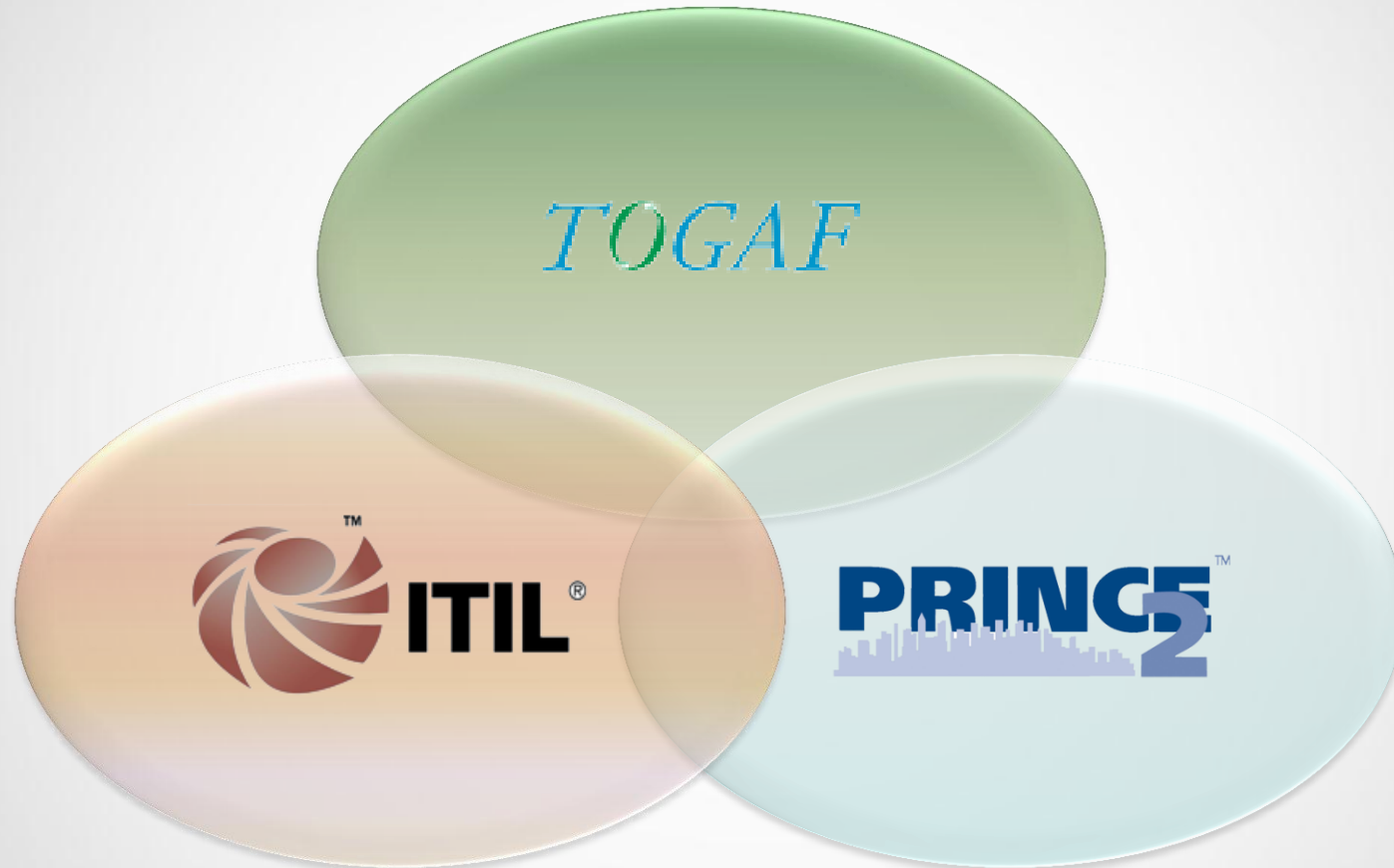


Framework touchpoints - notations

The same objects could be represented in different ways in different notations

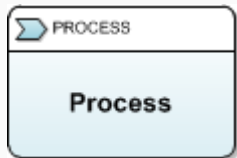


Resolving Touchpoints



What objects align with each other?

Examine the naming and the descriptions of different objects to assess overlap



A **Process** is a **flow** of interactions between functions and services and cannot be physically deployed. All processes should describe the flow of execution for a function and therefore the deployment of a process is through the function it supports; i.e., an application implements a function that has a process, not an application implements a process.



A **Process** describes a sequence or **flow** of Activities in an organization with the objective of carrying out work.

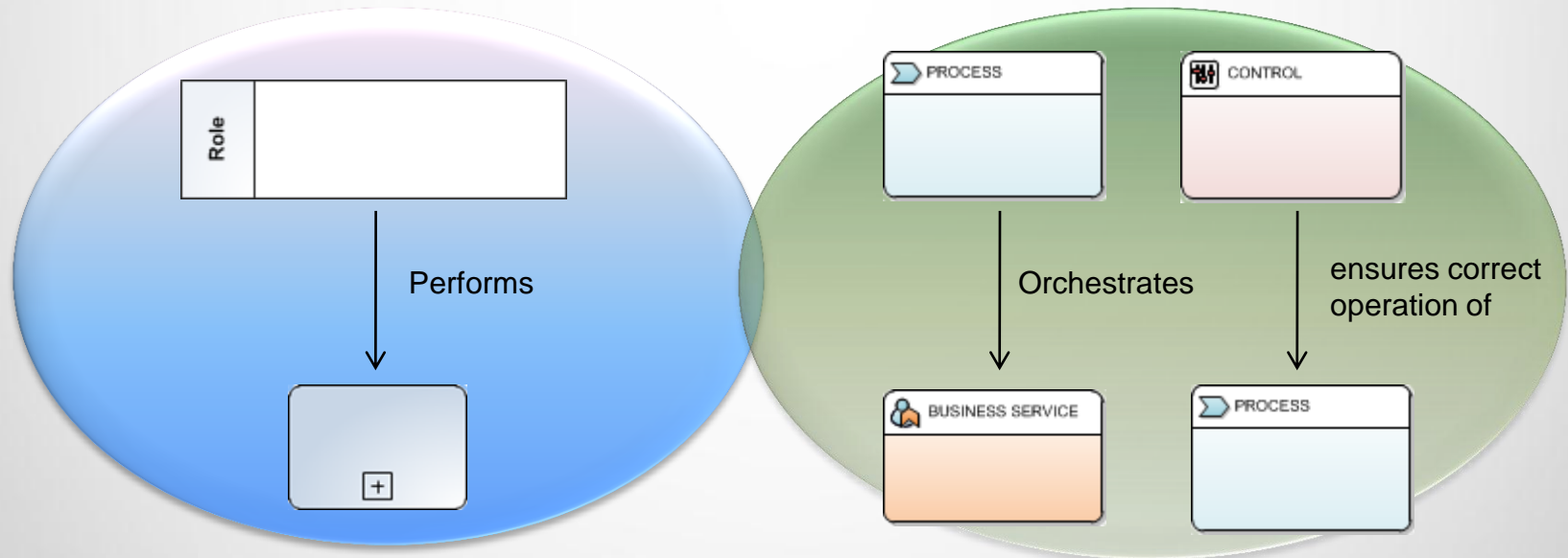
How to handle different relations?

After objects are mapped, examine if relations align

Usually they don't

Rule of thumb: keep both sets of relations

The different relations are being used with models that have different concerns



Organizational Considerations



The key question that drives decisions

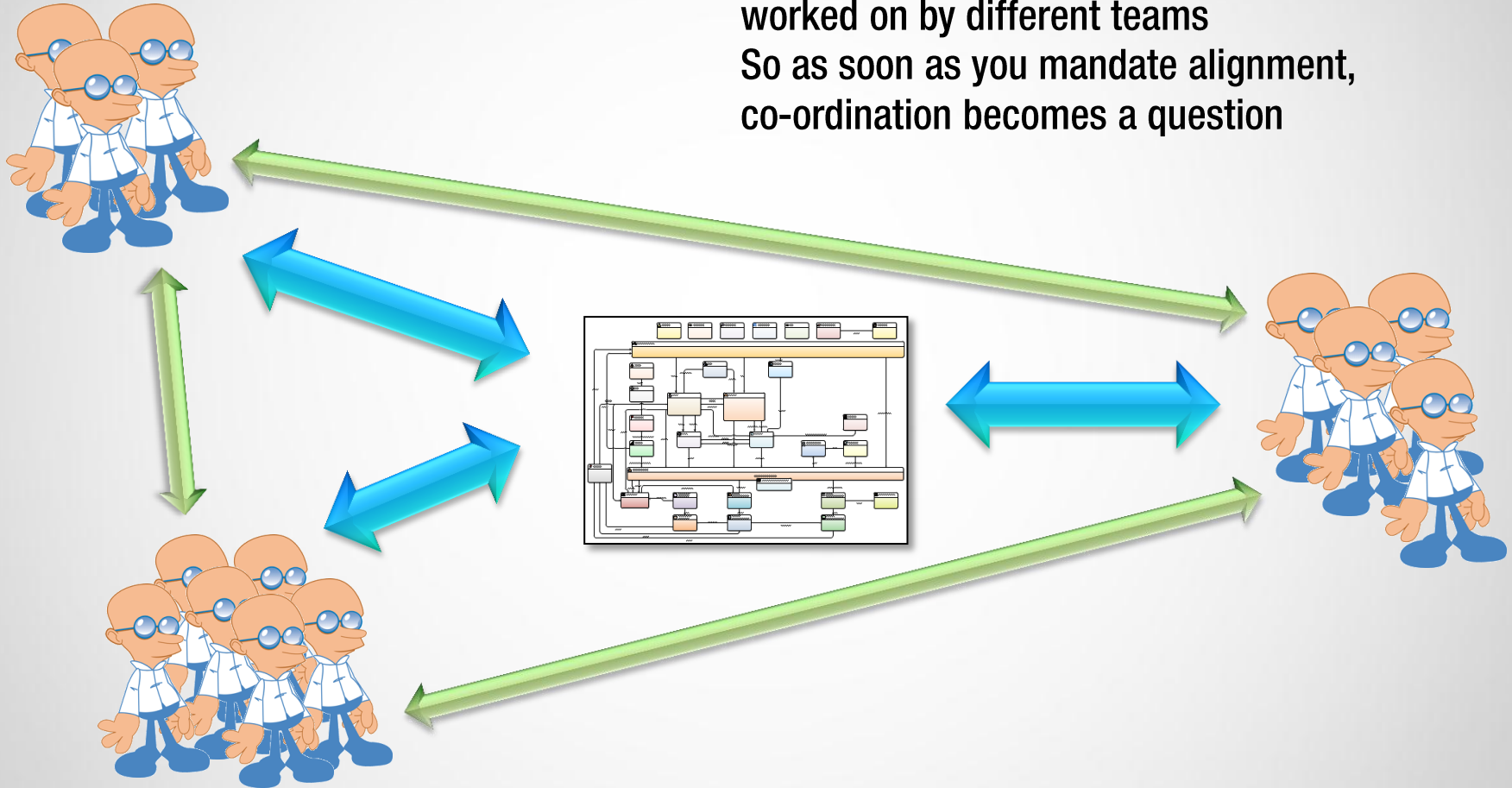
“Why are you doing this?”

What is the benefit of doing this alignment?



Shared objects implies co-ordination

Different modelling areas are usually worked on by different teams
So as soon as you mandate alignment, co-ordination becomes a question



Questions of ownership

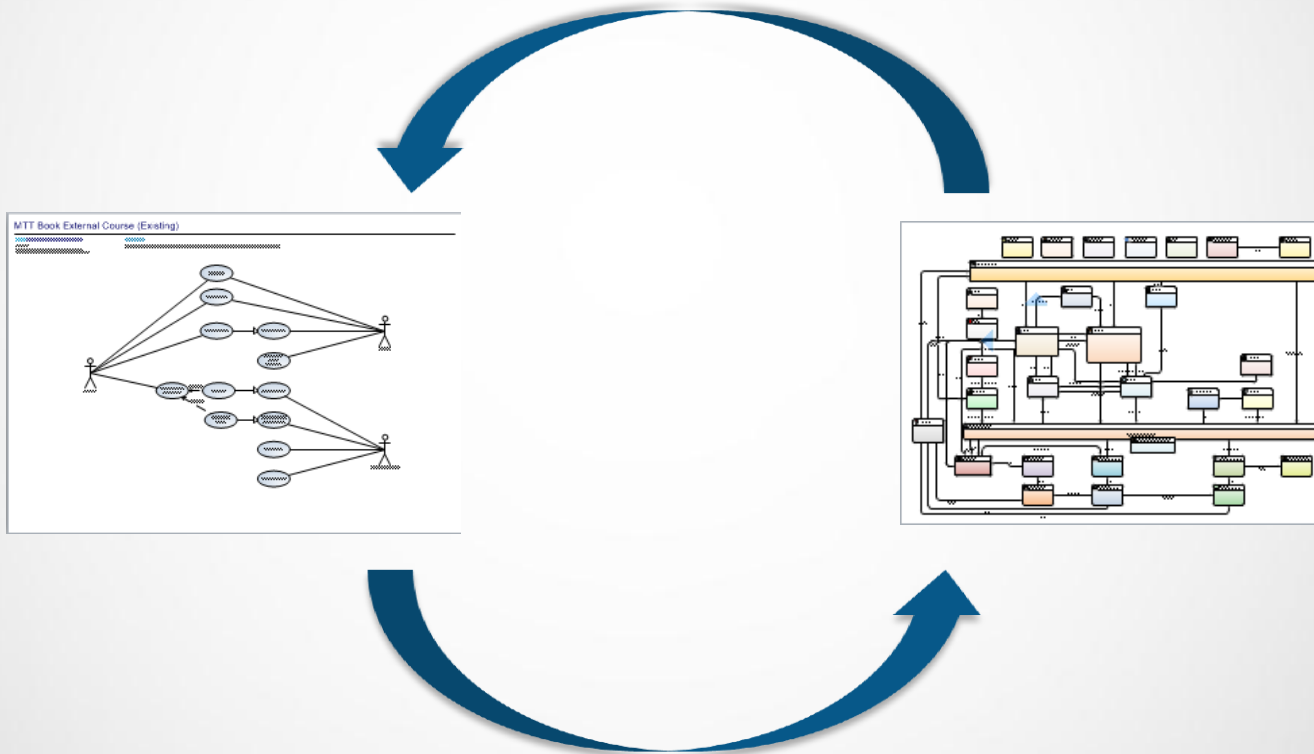
Problem with two teams working on shared data...

“You changed my model!”



Synchronization versus sharing

Important to decide: is it better to work off the same model; or keep your different models in sync with each other



Conclusions



- yes
- no
- maybe

Summary

Currently little formally released

In the absence, some rules of thumb that can be followed

- Look at similar definitions to identify crossovers
- Use both

BUT

Aligning frameworks does not mean you **HAVE** to work off a common model

Common models imply co-ordination between teams

The organisational and co-ordination questions should be considered before even beginning to try and align models

Questions and Answers



**Download this Presentation and White Paper
from:**

(<http://orbussoftware.com/downloads/>)



Visio stencils (TOGAF/ArchiMate/BPMN):

(<http://orbussoftware.com/downloads/>)